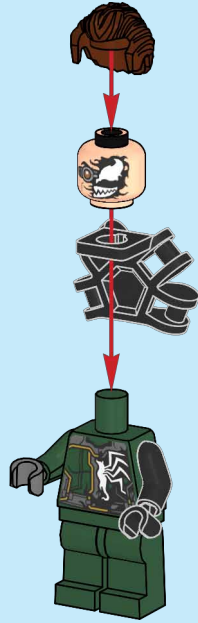
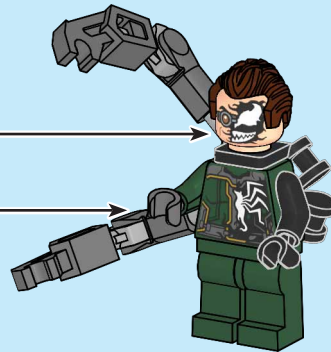
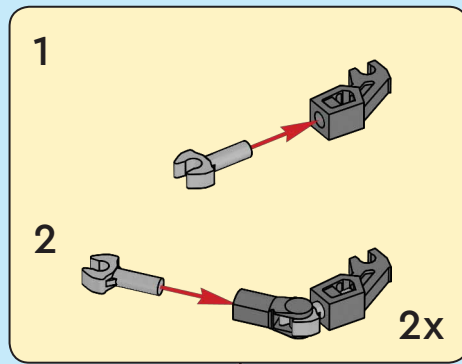




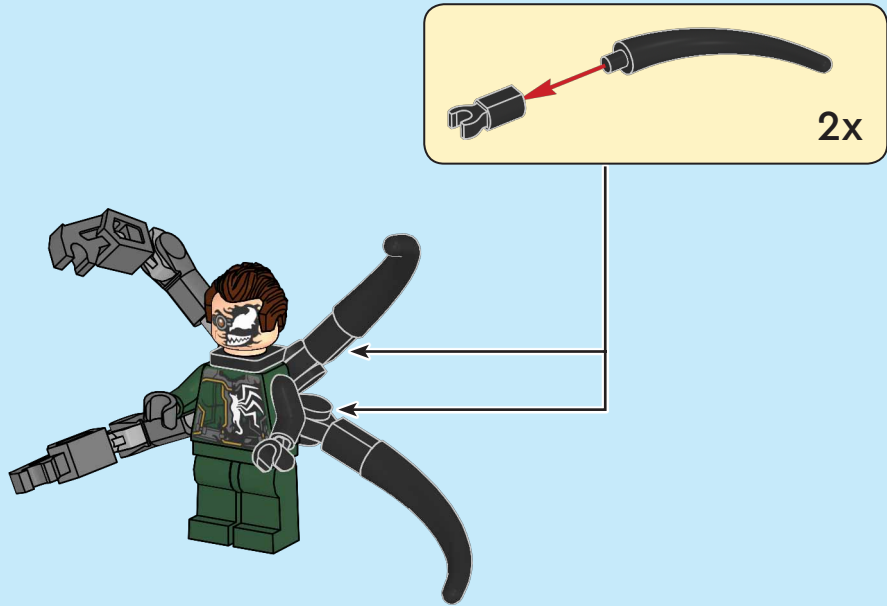
1



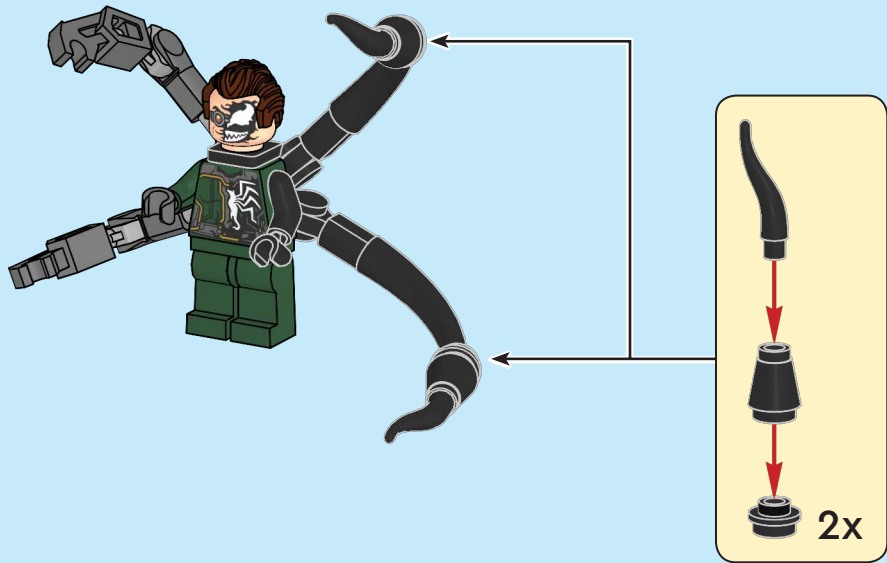
2



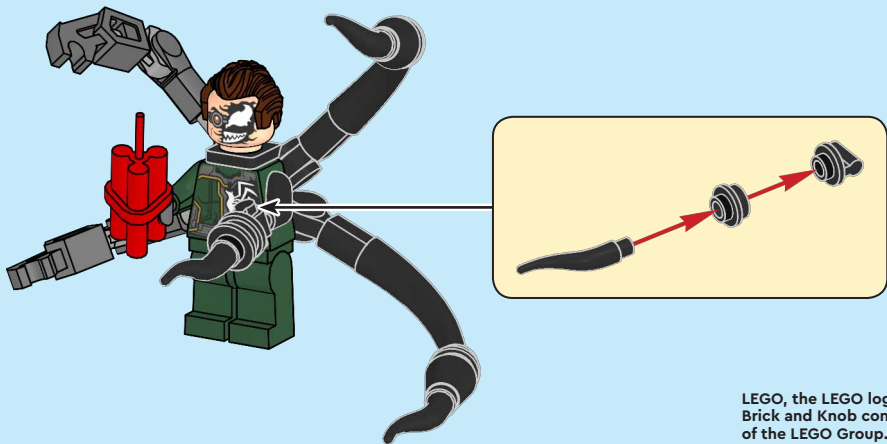
3



4



5



LEGO, the LEGO logo, the Minifigure and the Brick and Knob configurations are trademarks of the LEGO Group. ©2025 The LEGO Group.

MARVEL

© 2025 MARVEL

Manufactured by Blue Ocean Entertainment AG, Seidenstraße 19, 70174 Stuttgart, Germany, under license from the LEGO Group.