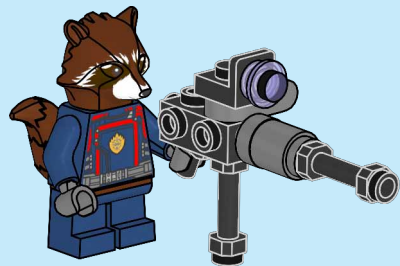
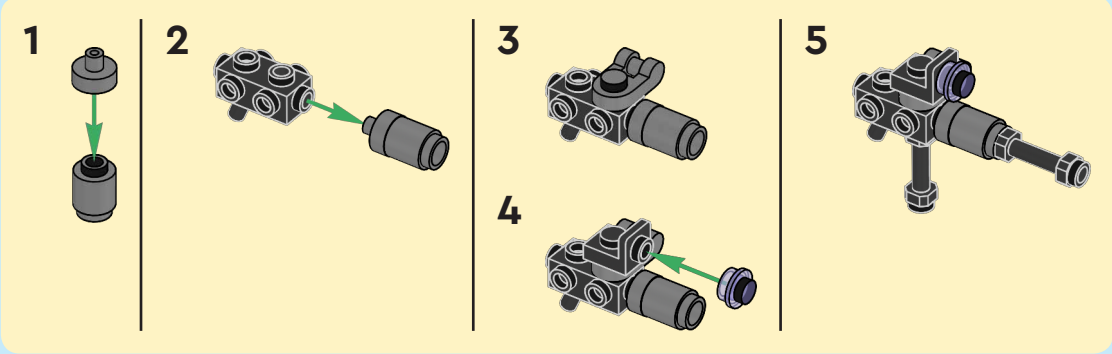




1



2



LEGO, the LEGO logo, the Minifigure and the Brick and Knob configurations are trademarks of the LEGO Group. ©2024 The LEGO Group.



© 2024 MARVEL

Manufactured by Blue Ocean Entertainment AG, Seidenstraße 19, 70174 Stuttgart, Germany, under license from the LEGO Group.