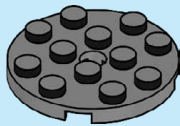


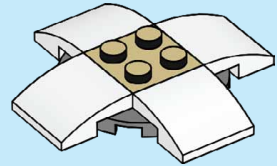
1



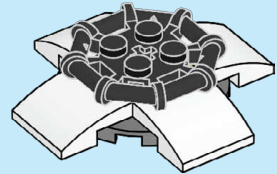
2



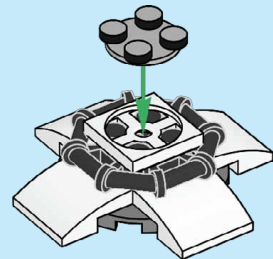
3



4



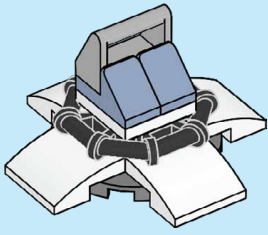
5



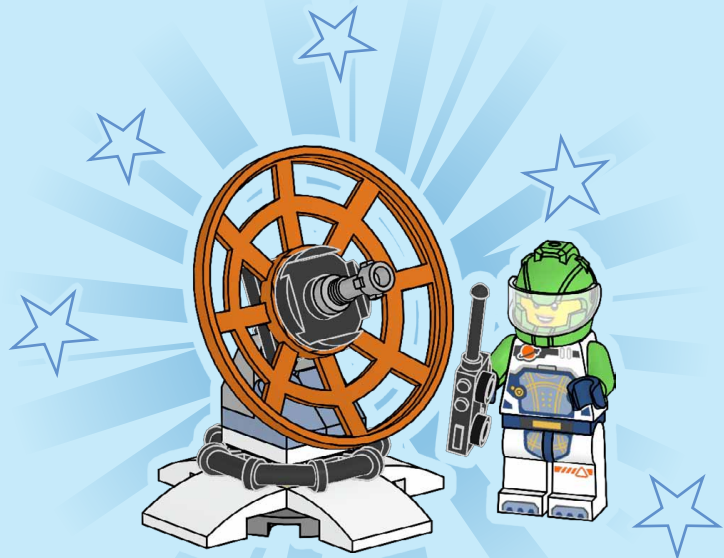
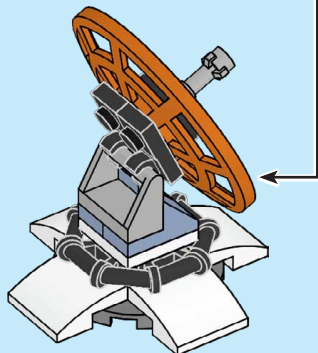
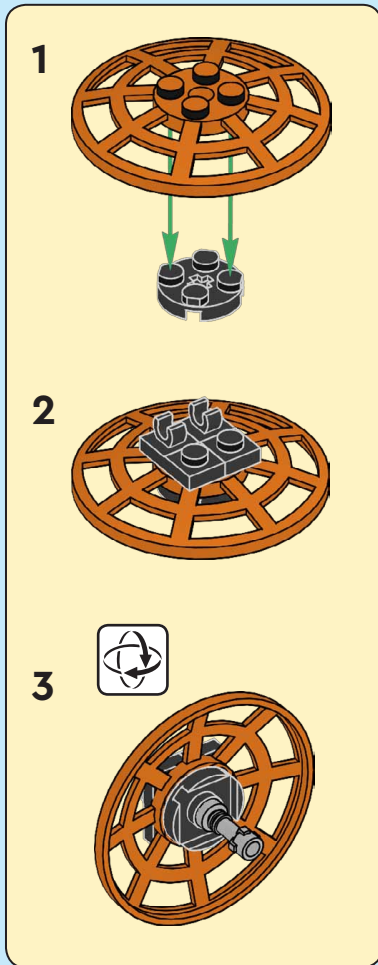
6



7



8



LEGO, the LEGO logo, the Brick and Knob configurations and the Minifigure are trademarks of the LEGO Group. ©2024 The LEGO Group.

Manufactured by Blue Ocean Entertainment AG, Seidenstraße 19, 70174 Stuttgart, Germany, under license from the LEGO Group.