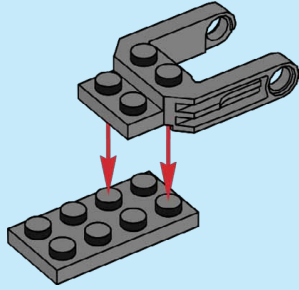
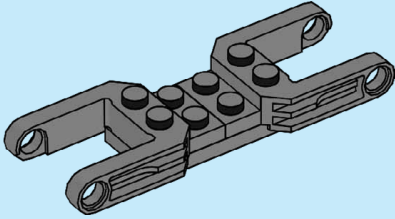




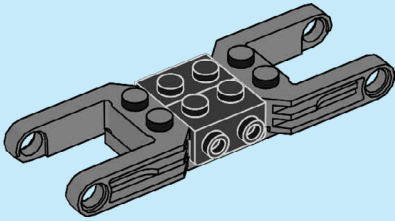
1



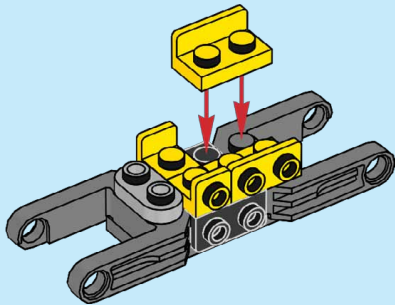
2



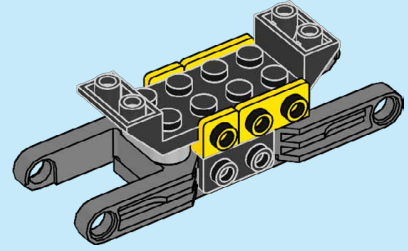
3



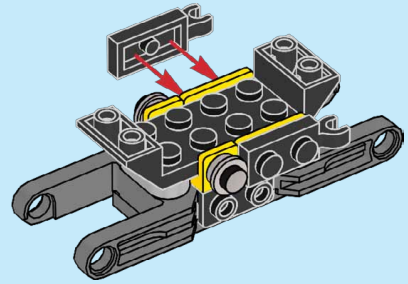
4



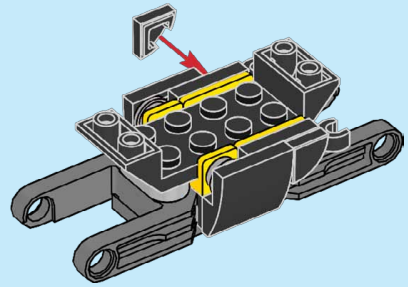
5



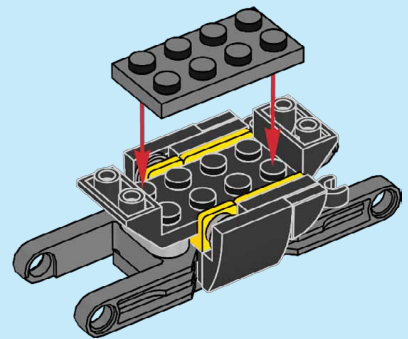
6



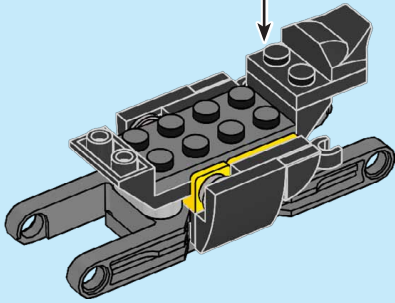
7



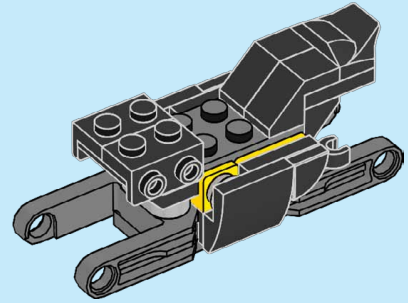
8



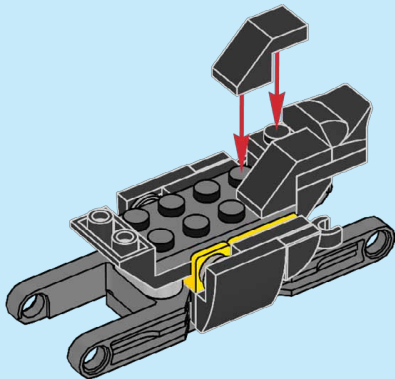
9



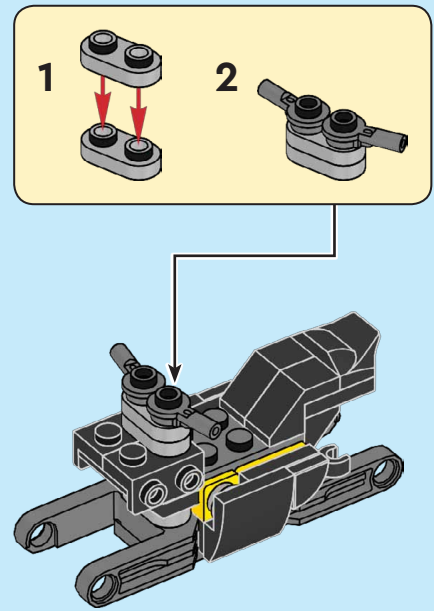
12



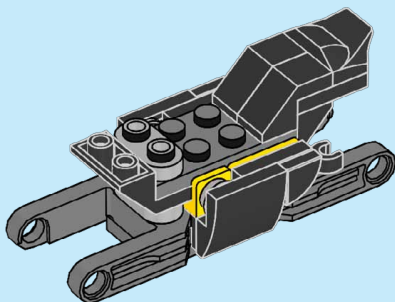
10



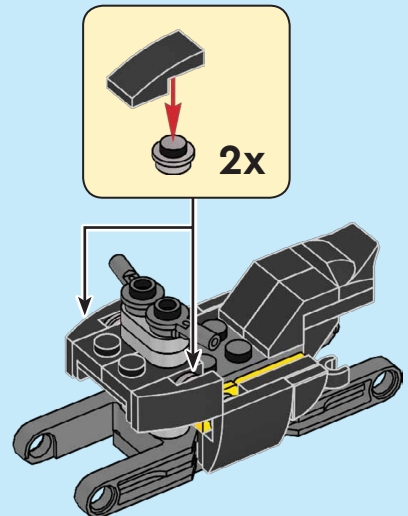
13



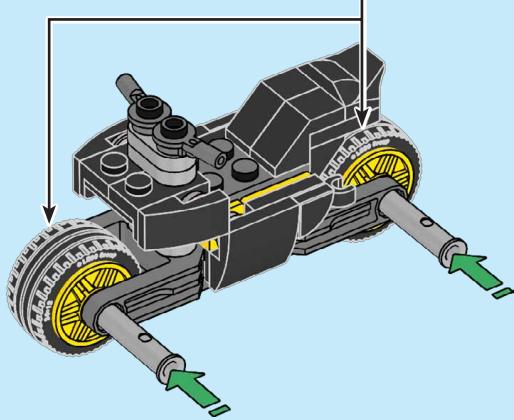
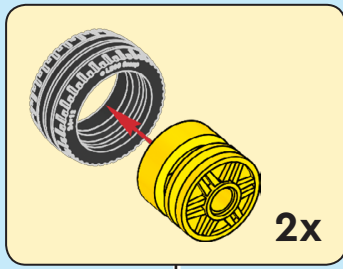
11



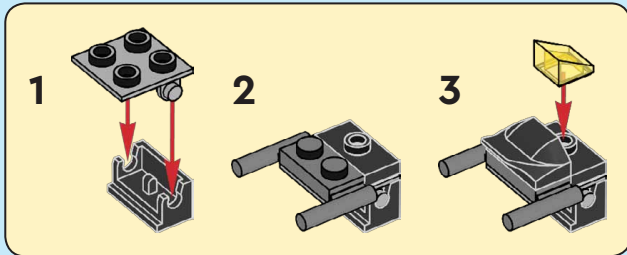
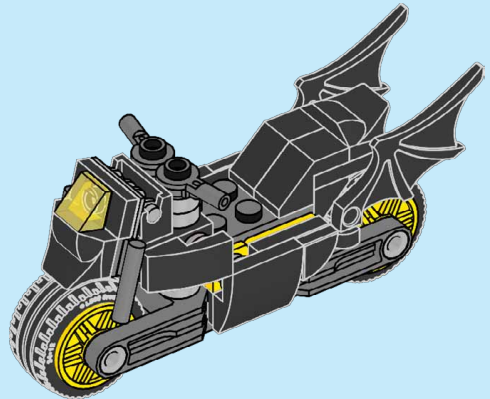
14



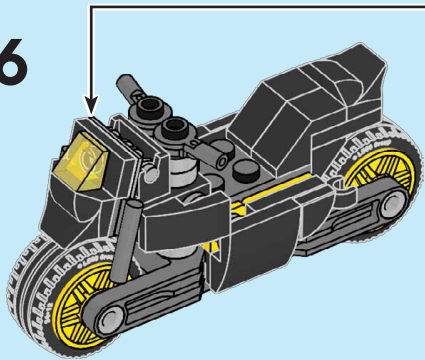
15



17



16



LEGO, the LEGO logo, the Minifigure and the Brick and Knob configurations are trademarks and/or copyrights of the LEGO Group. 2024 The LEGO Group. All rights reserved.



Copyright © 2024 DC. BATMAN and all related characters and elements © & ™ DC. WB SHIELD: © & ™WBEL. (s24)



Manufactured by Blue Ocean Entertainment AG, Seidenstraße 19, 70174 Stuttgart, Germany, under license from the LEGO Group.