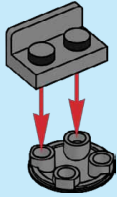
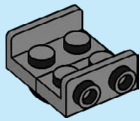


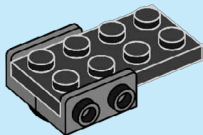
1



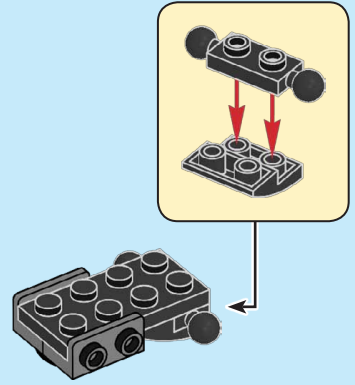
2



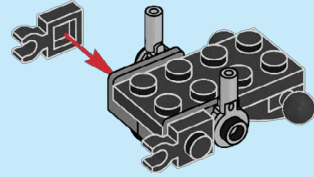
3



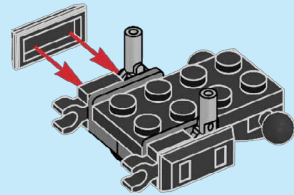
4



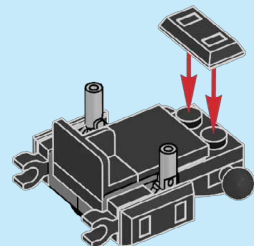
5

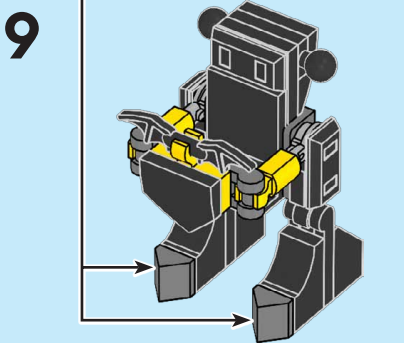
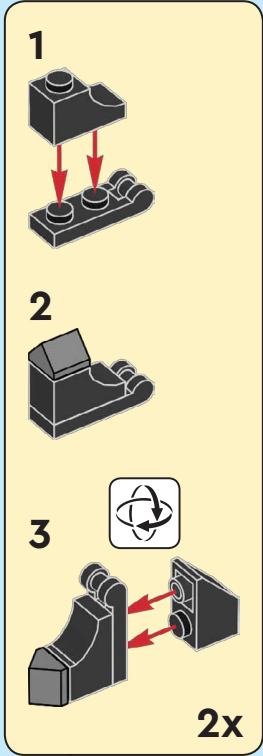
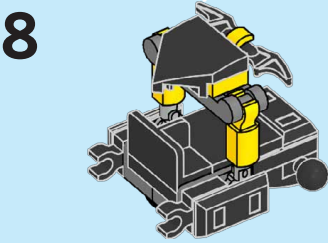
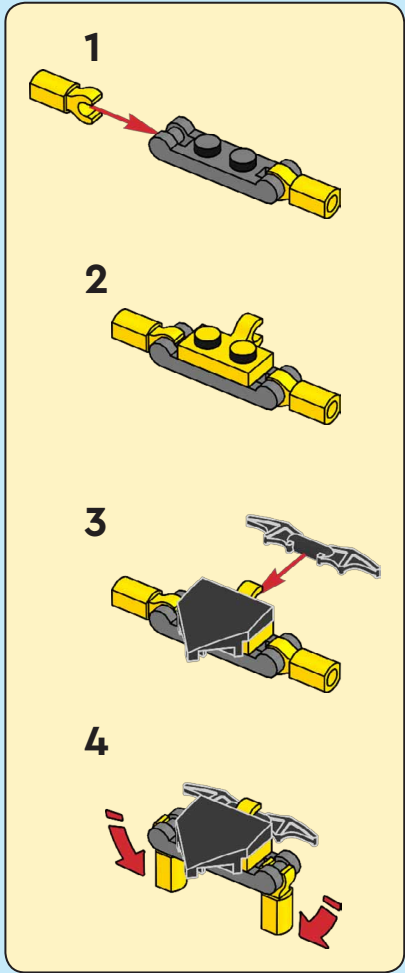


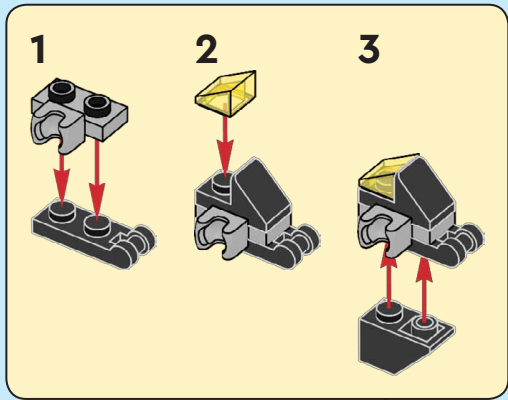
6



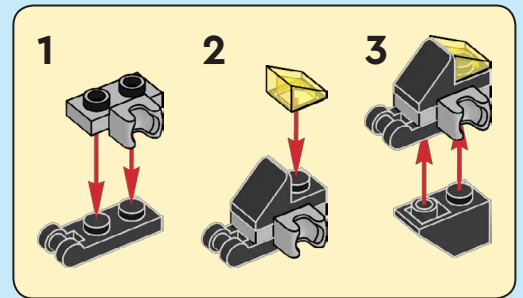
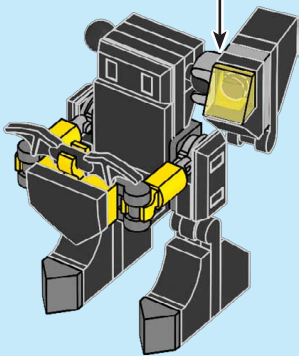
7



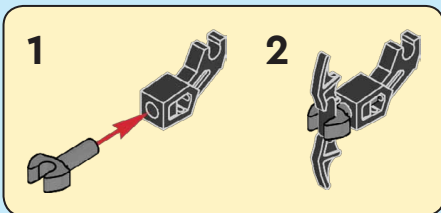
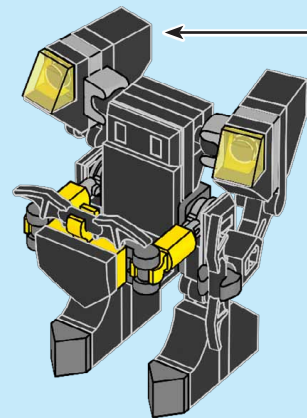




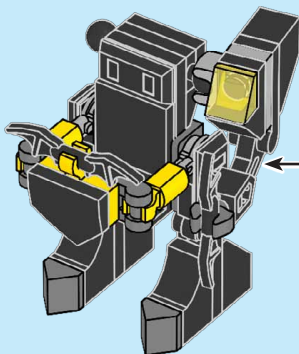
10

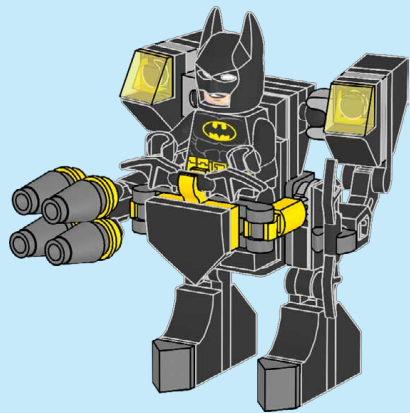
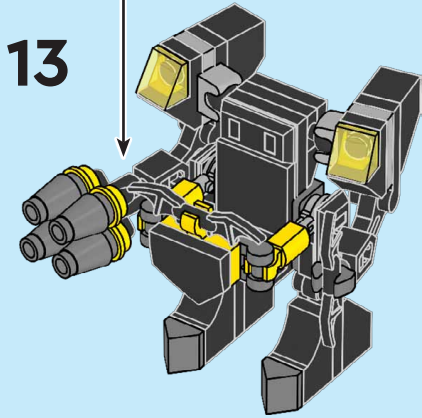
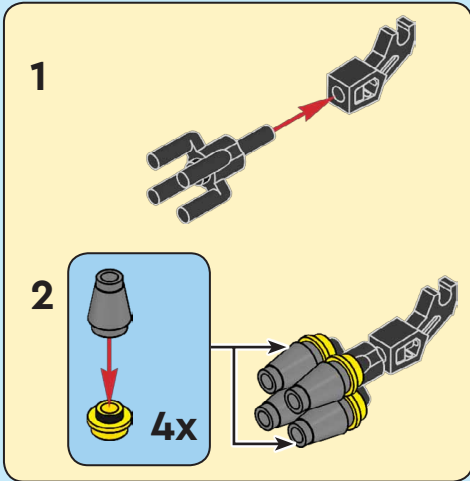


12



11





LEGO, the LEGO logo, the Minifigure and the Brick and Knob configurations are trademarks and/or copyrights of the LEGO Group. 2024 The LEGO Group. All rights reserved.



Copyright © 2024 DC. BATMAN and all related characters and elements © & ™ DC.
WB SHIELD: © & ™WBEL. (s24)



Manufactured by Blue Ocean Entertainment AG, Seidenstraße 19, 70174 Stuttgart, Germany, under license from the LEGO Group.