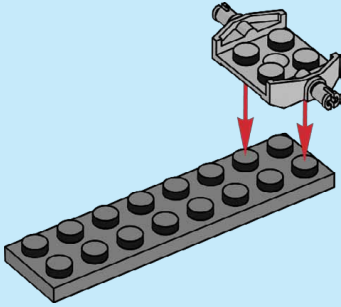
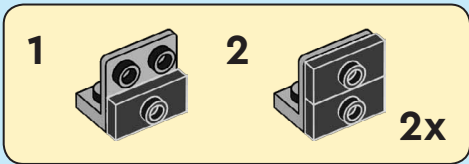
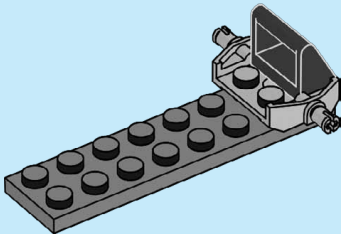




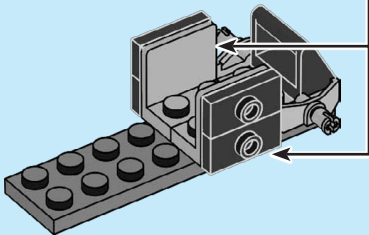
1



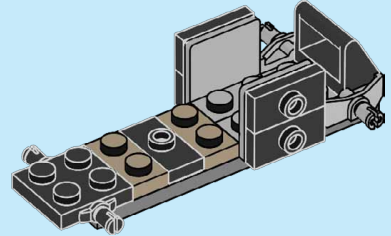
2



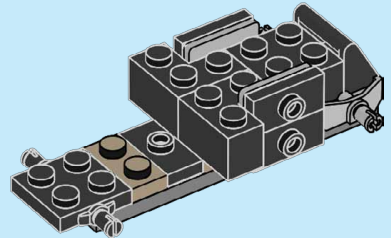
3



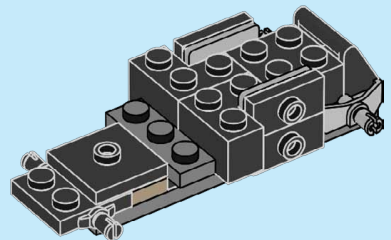
4



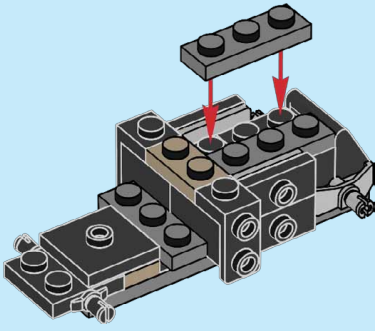
5



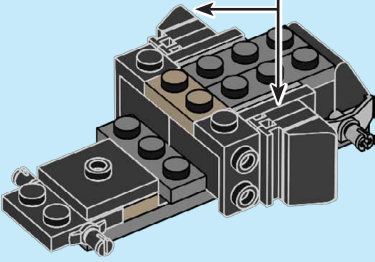
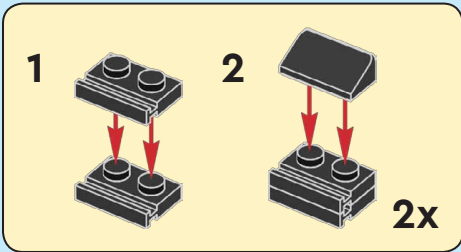
6



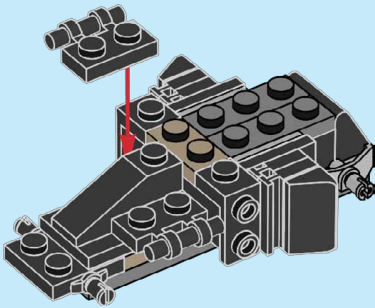
7



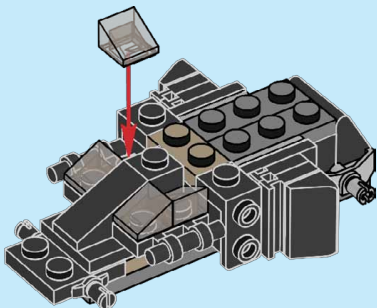
8



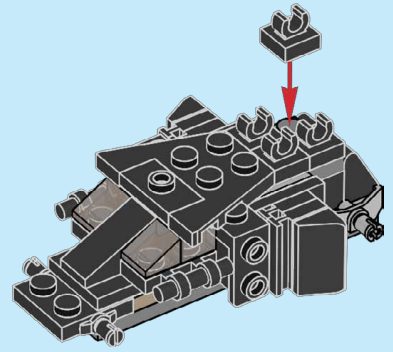
9



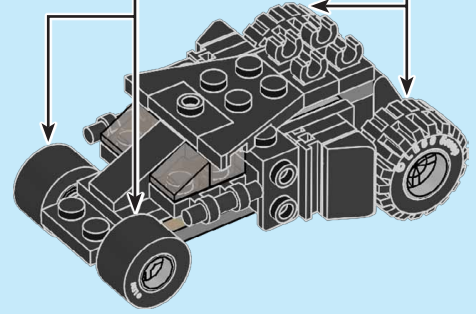
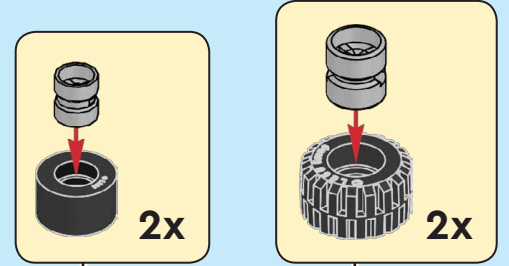
10



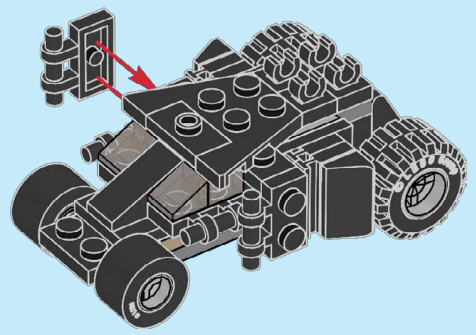
11



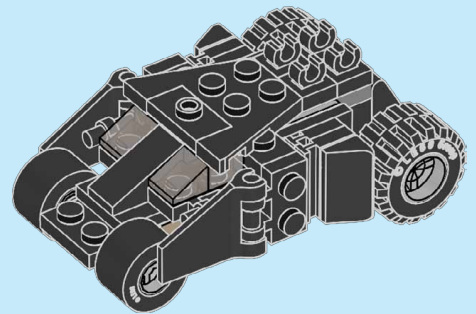
12



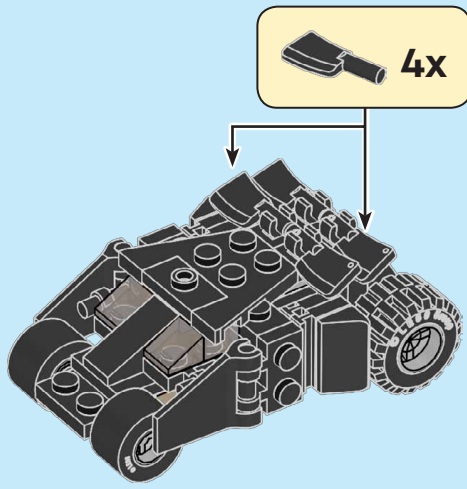
13



14



15



LEGO, the LEGO logo, the Minifigure and the Brick and Knob configurations are trademarks and/or copyrights of the LEGO Group. 2023 The LEGO Group. All rights reserved.



Copyright © 2023 DC. BATMAN and all related characters and elements © & ™ DC.
WB SHIELD: © & ™ WBEI. (s22)



Manufactured by Blue Ocean Entertainment AG, Seidenstraße 19, 70174 Stuttgart, Germany, under license from the LEGO Group.