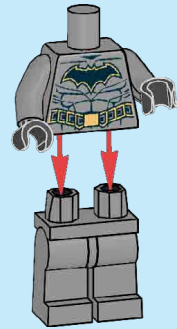
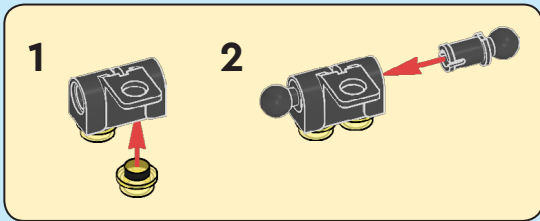




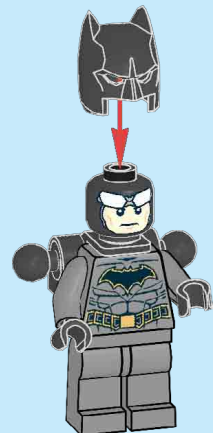
1

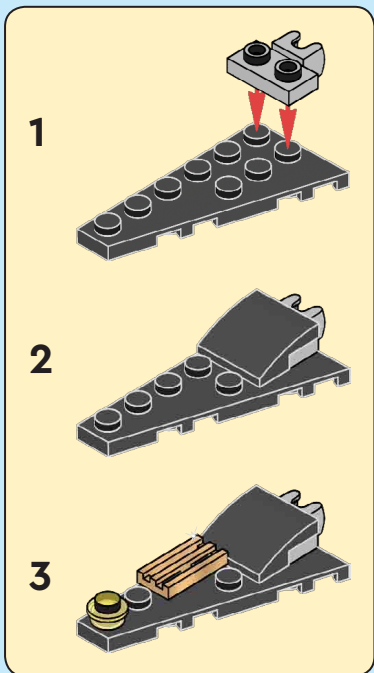


2

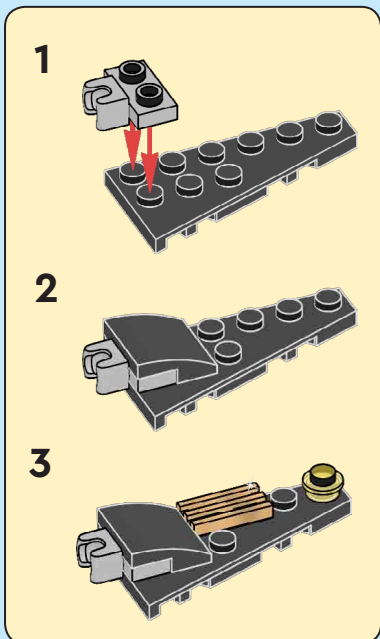
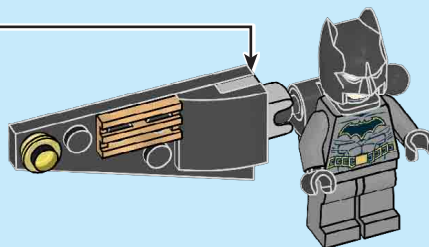


3

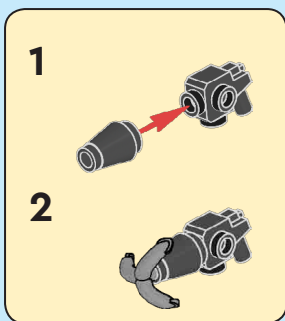
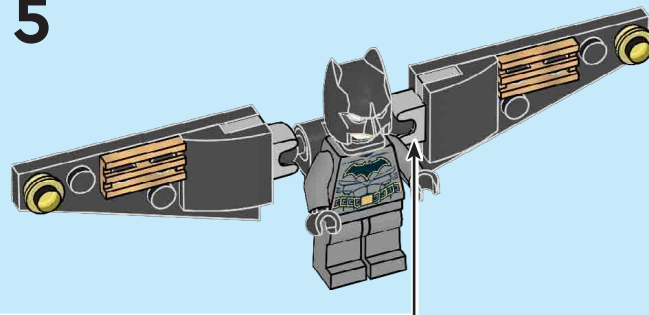




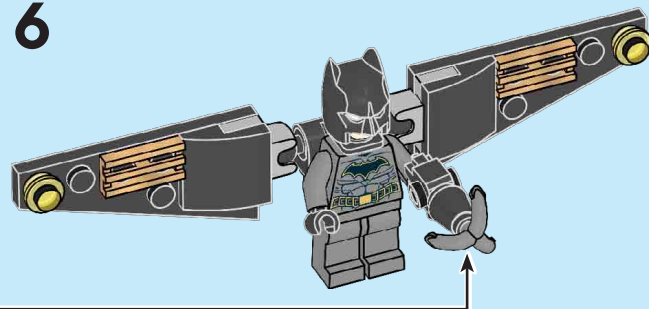
4



5



6



LEGO, the LEGO logo, the Minifigure and the Brick and Knob configurations are trademarks and/or copyrights of the LEGO Group. 2022 The LEGO Group. All rights reserved.



Copyright © 2022 DC Comics. BATMAN and all related characters and elements © & ™ DC Comics. WB SHIELD: © & ™ WBEI. (s22)



Manufactured by Blue Ocean Entertainment AG under licence from the LEGO Group.